

Clear Prop!

STARTER



A5M2B
CLAUDE



1:72
model # 72006



scale model kit

SPAN: 153 mm



LENGTH: 105 mm



NUMBER OF PARTS: 98 pcs

1 stages of assembly	? optional
A variants of assembly	glue by super glue
A1 part number	do not glue
1 separate details	make a hole
1 apply decals	detach with knife
1 apply the adhesive mask	paint
bend	repeat the operation N times

Role	Carrier-based fighter
Manufacturer	Mitsubishi Heavy Industries, Ltd
Designer	Jiro Horikoshi
First flight	4 February 1935
Introduction	1936
Retired	1945
Primary user	Imperial Japanese Navy Air Service
Number built	1,094

The Mitsubishi A5M, formal Japanese Navy designation Mitsubishi Navy Type 96 Carrier-based Fighter, experimental Navy designation Mitsubishi Navy Experimental 9-Shi Carrier Fighter, company designation Mitsubishi Ka-14, was a Japanese carrier-based fighter aircraft. It was the world's first monoplane shipboard fighter to enter service and the direct predecessor of the famous Mitsubishi A6M "Zero". The Allied reporting name was Claude.

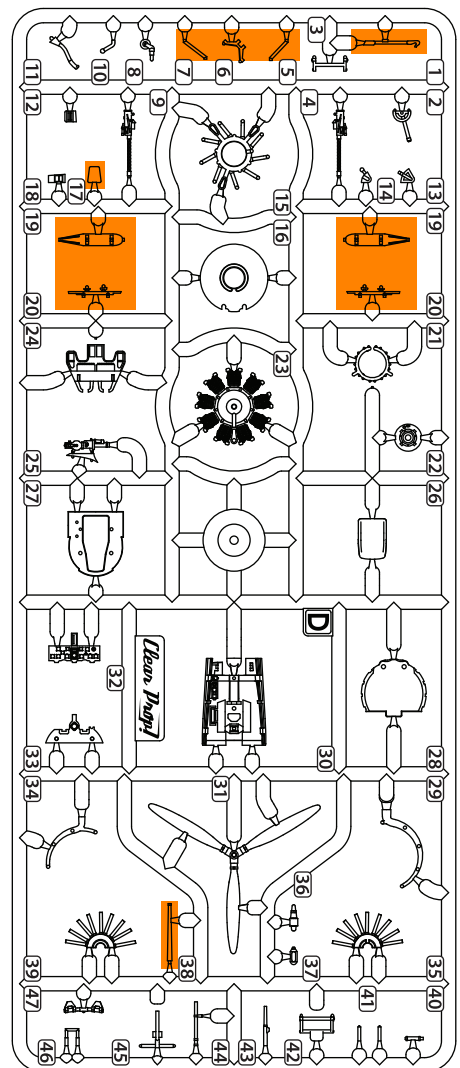
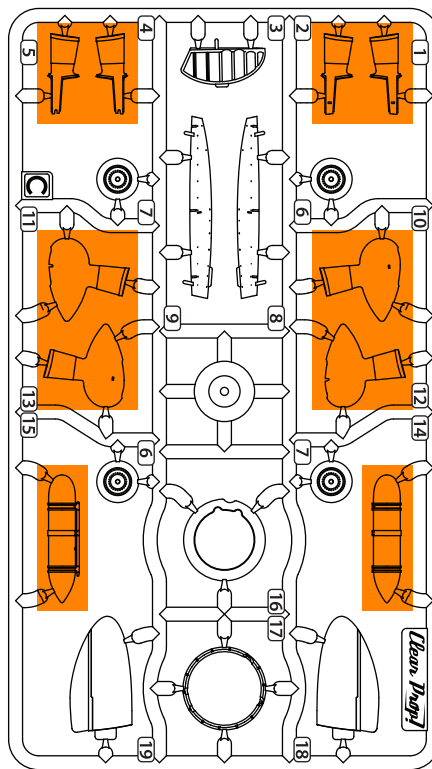
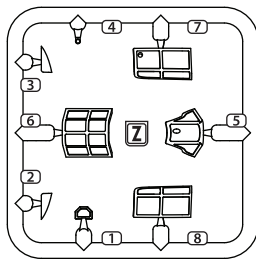
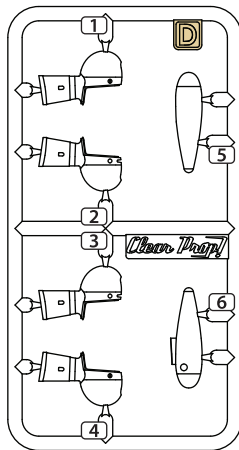
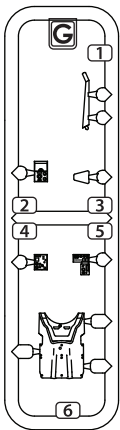
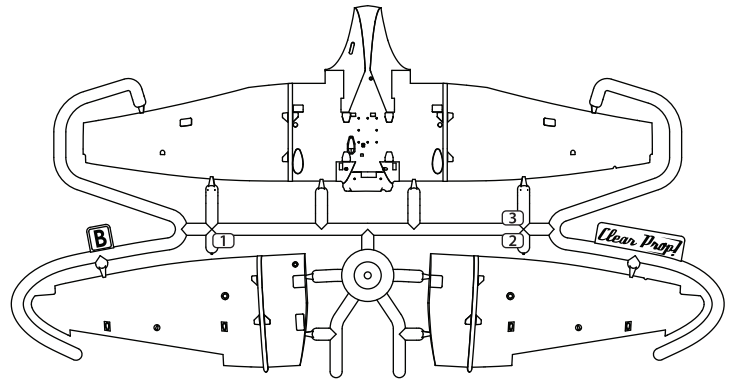
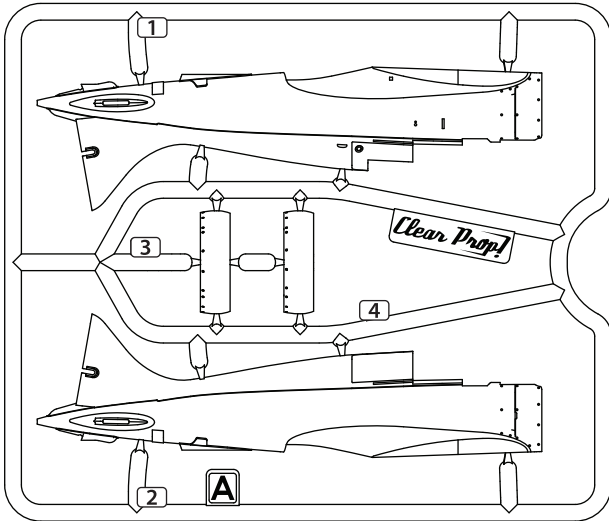
In 1934, the Imperial Japanese Navy prepared a specification for an advanced fighter, requiring a maximum speed of 350 km/h at 3,000 m and able to climb to 5,000 m in 6.5 minutes. This 9-shi (1934) specification produced designs from both Mitsubishi and Nakajima.

Mitsubishi assigned the task of designing the new fighter to a team led by Jiro Horikoshi. The resulting design, designated Ka-14 by Mitsubishi, was an all-metal low-wing fighter. The first prototype, powered by a 600 hp Nakajima Kotobuki 5 radial engine, flew on 4 February 1935. The aircraft far exceeded the requirements of the specification, with a maximum speed of 450 km/h being reached. The second prototype was fitted with a revised, ungulled wing, and was ordered into production as the A5M.

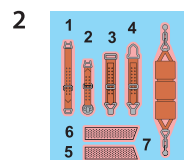
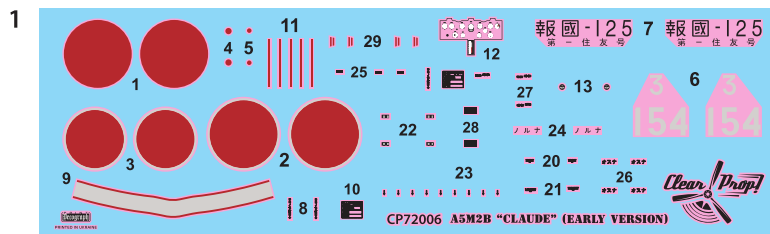
REQUIRED PAINTS

A MR. COLOR 8 A.MIG-0195 SILVER	B MR. COLOR 3 A.MIG-0049 RED	C MR. COLOR 47 A.MIG-0093 CLEAR RED	D MR. COLOR 50 A.MIG-0098 CLEAR BLUE	E MR. COLOR 131 A.MIG-0034 PROPELLER COLOR	F MR. COLOR 125 A.MIG-0907 COWLING COLOR	G MR. COLOR 28 A.MIG-0191 STEEL	H MR. COLOR 41 A.MIG-0014 RED BROWN
I MR. COLOR 2 A.MIG-0046 BLACK SCHWARZ	J MR. COLOR 126 A.MIG-0270 COCKPIT COLOR	K MR. COLOR 61 A.MIG-0187 BURNT IRON	L MR. COLOR 137 A.MIG-0033 TIRE BLACK	<p>AMMO by MIG Jimenez</p>			

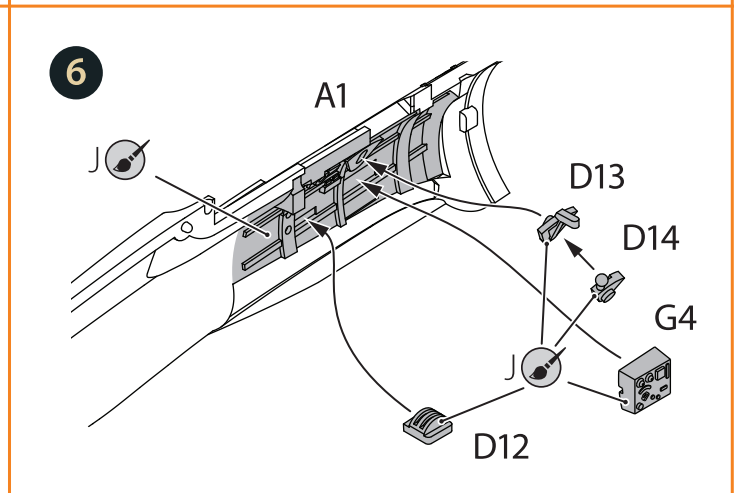
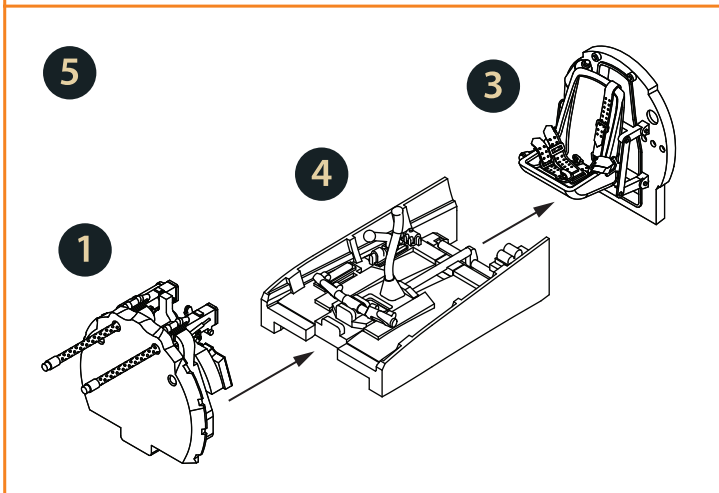
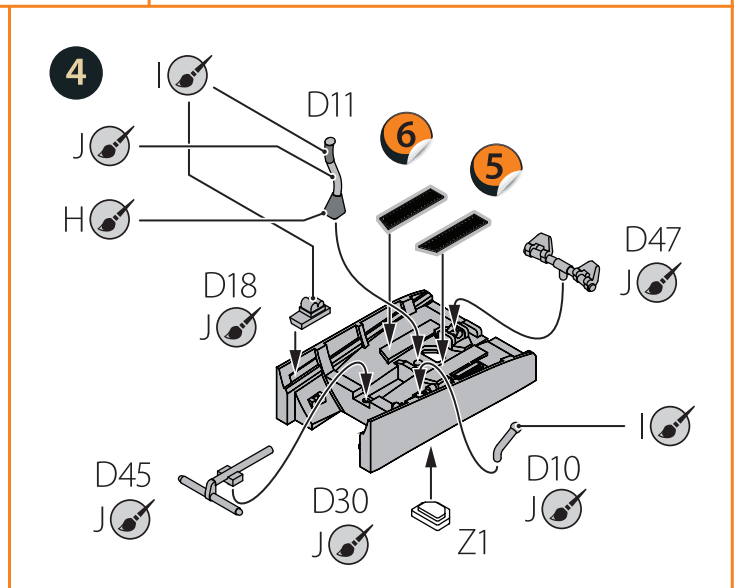
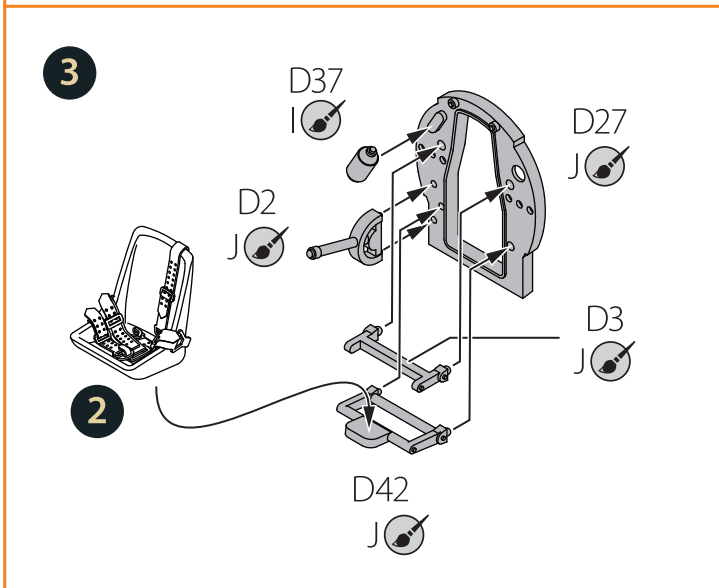
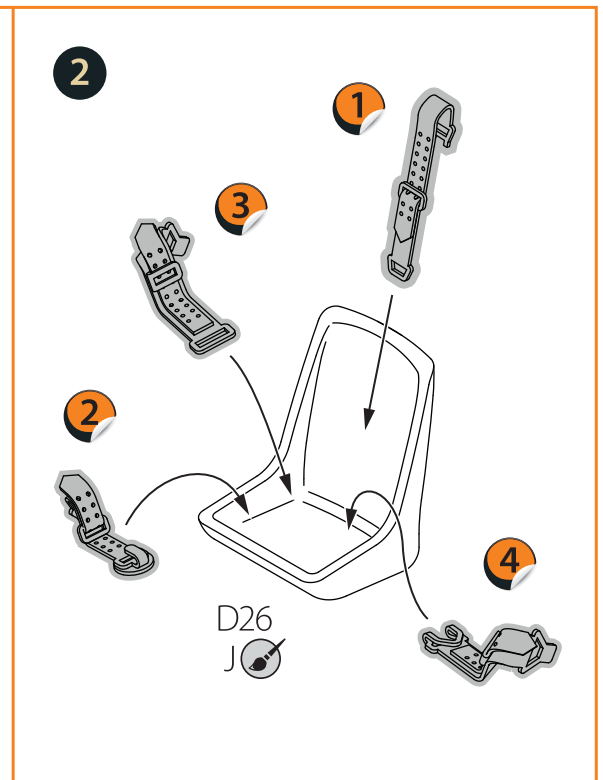
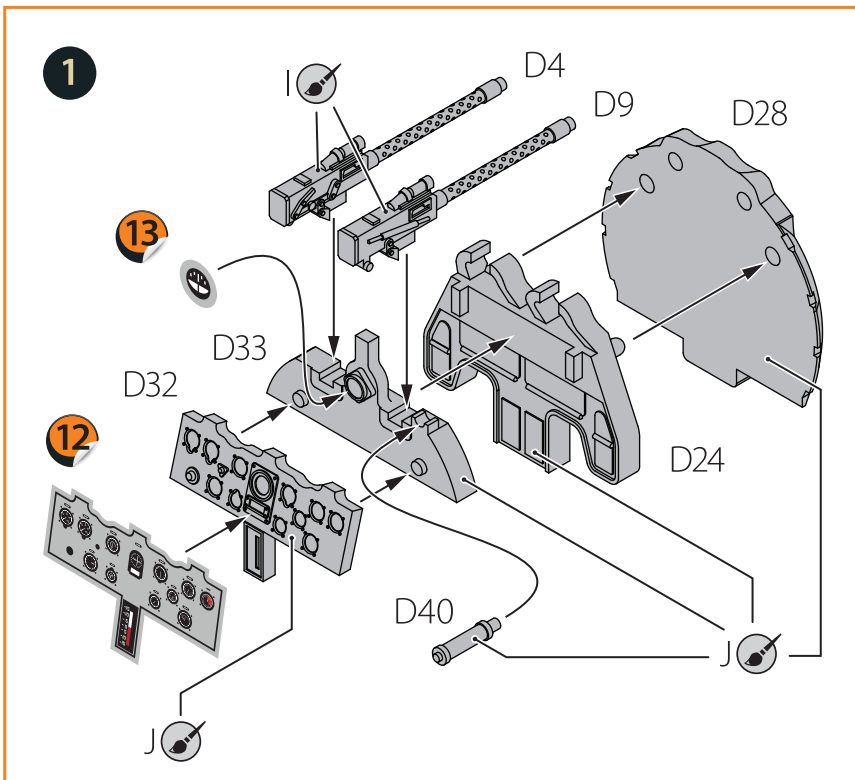
THIS MODEL IS PRODUCED FOR EXPERIENCED MODELERS OVER 14 YEARS

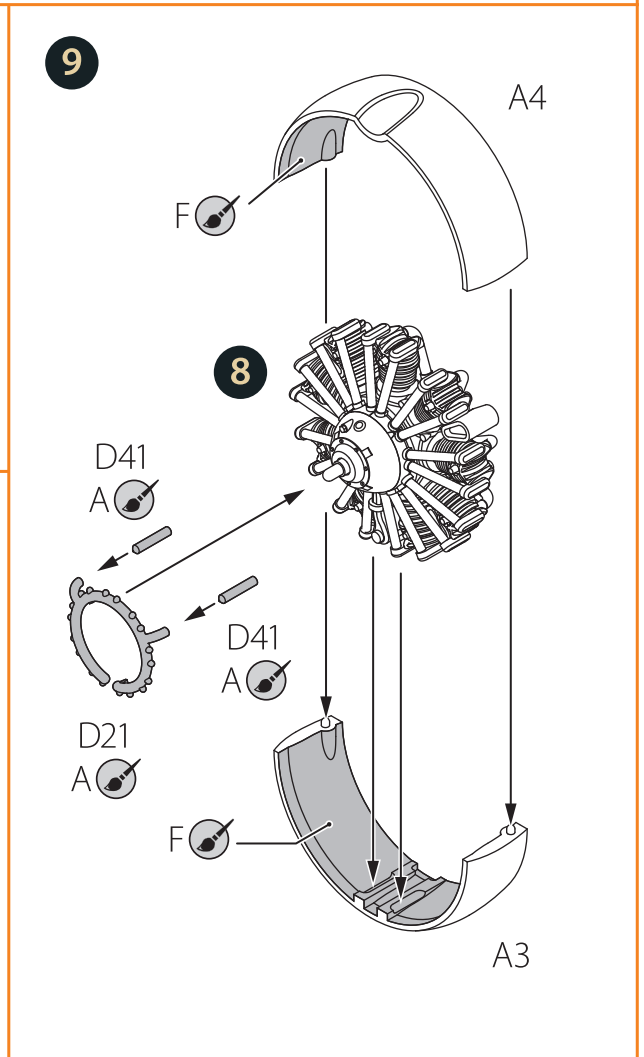
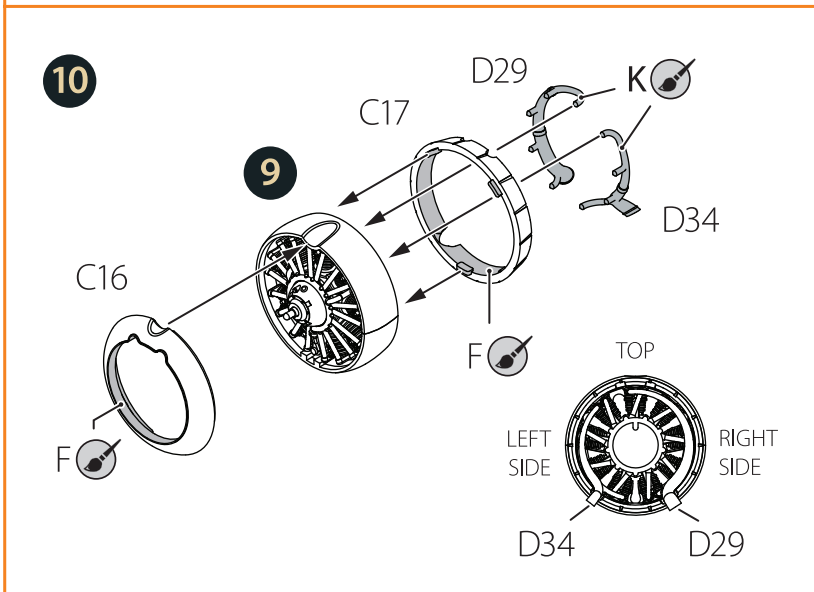
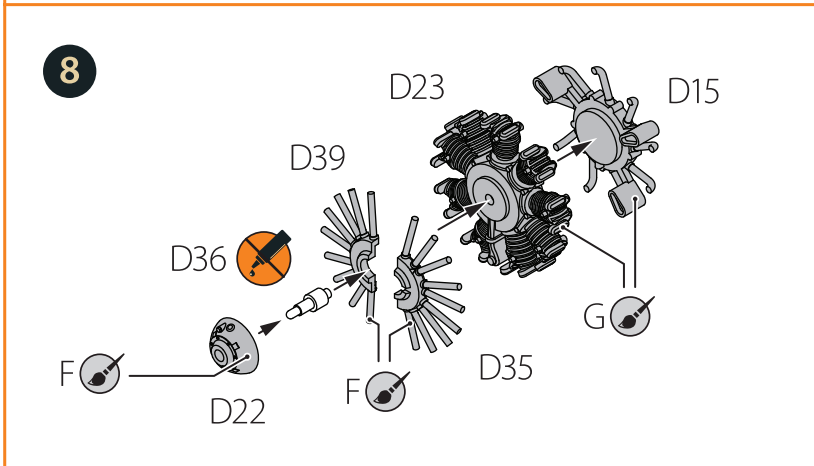
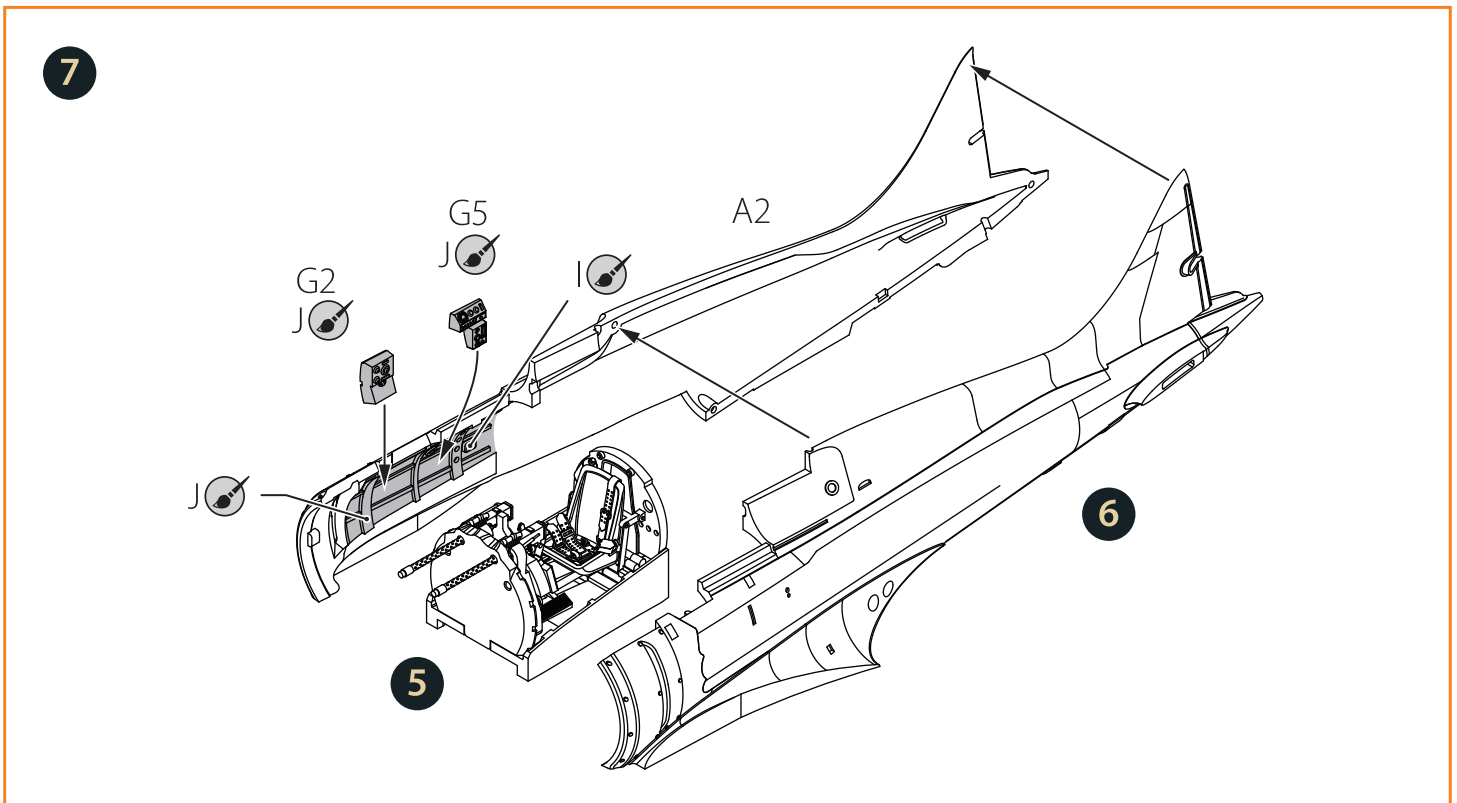


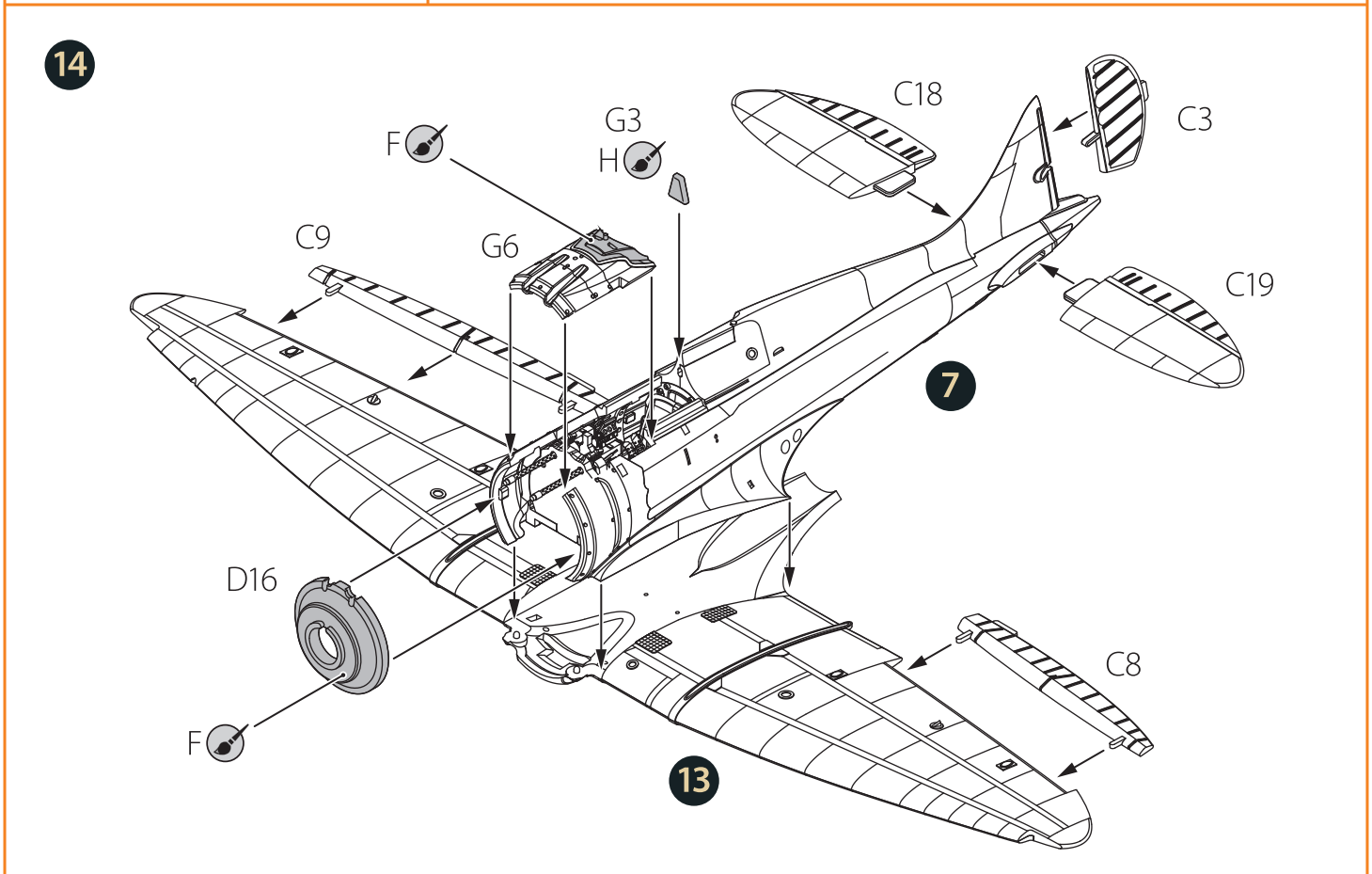
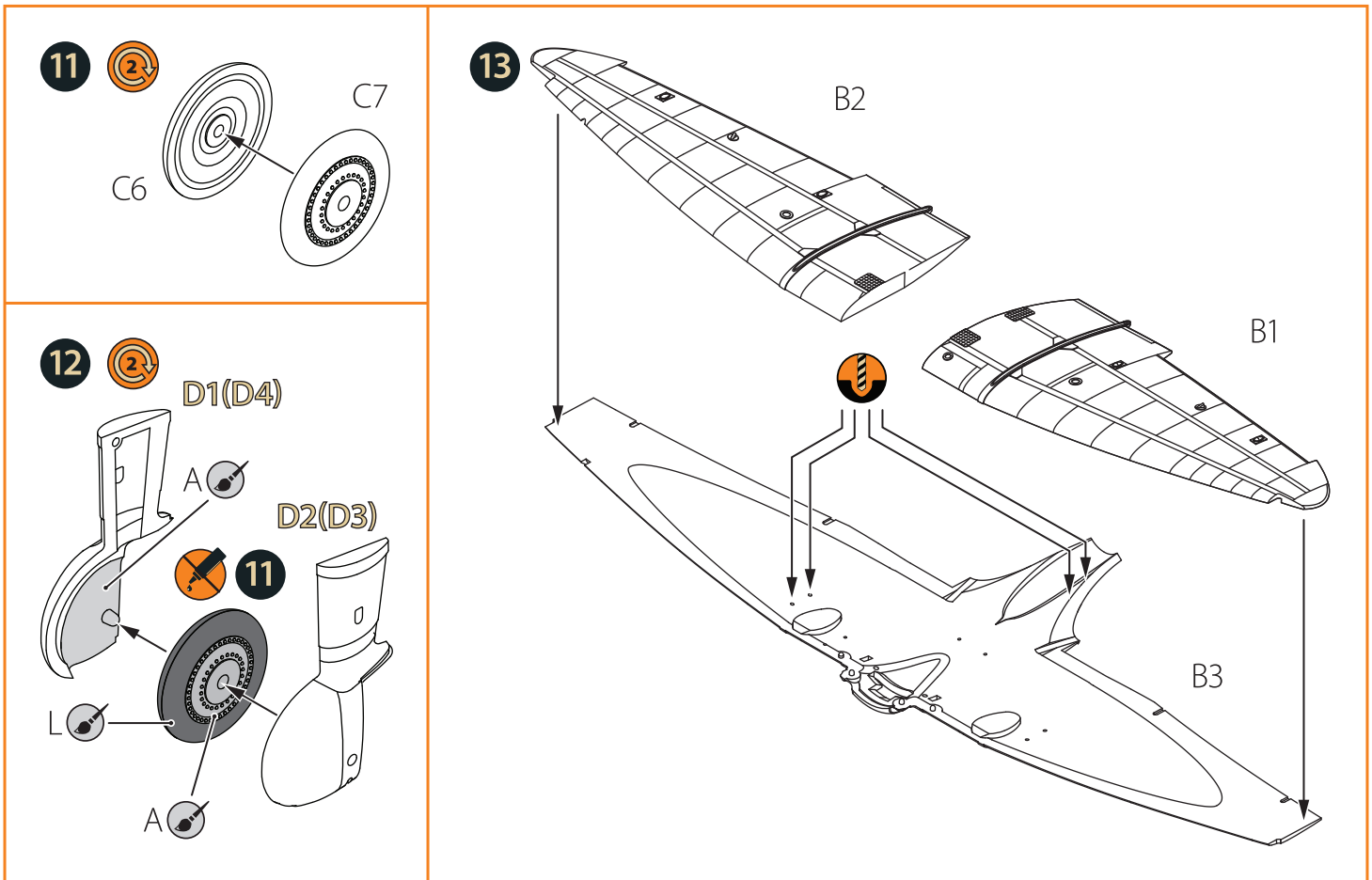
DECAL SHEETS



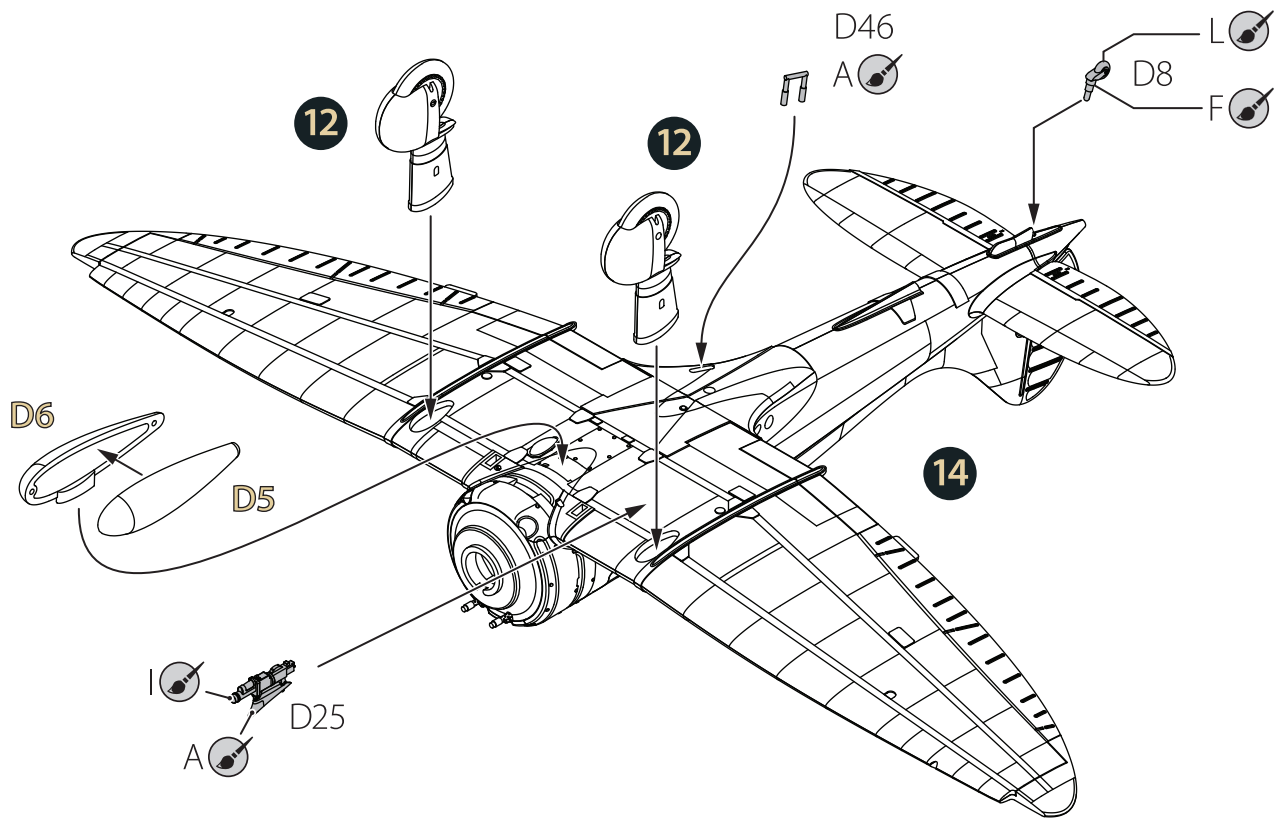
Parts not for use



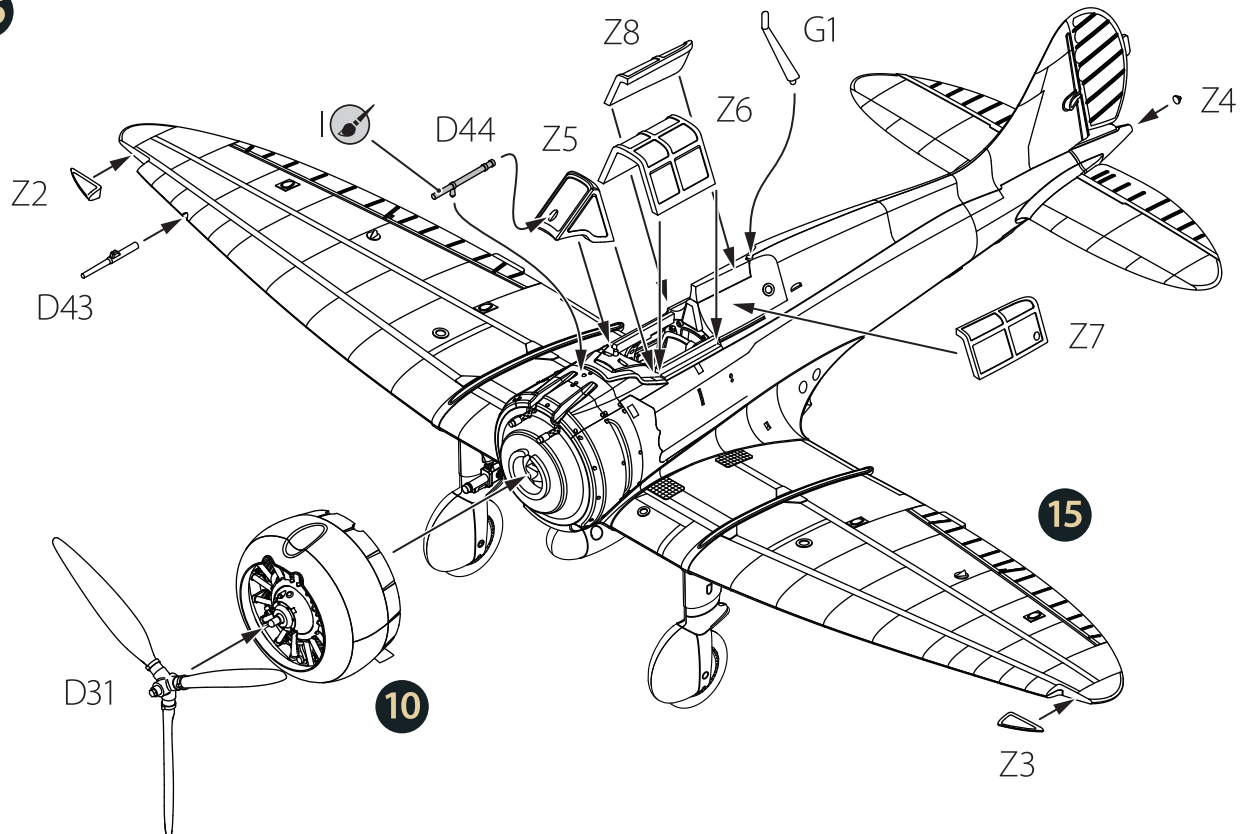




15



16





A
MR. COLOR 8
A.MIG-0195
SILVER



B
MR. COLOR 3
A.MIG-0049
RED



C
MR. COLOR 47
A.MIG-0093
CLEAR RED



D
MR. COLOR 50
A.MIG-0098
CLEAR BLUE



E
MR. COLOR 131
A.MIG-0034
PROPELLER COLOR

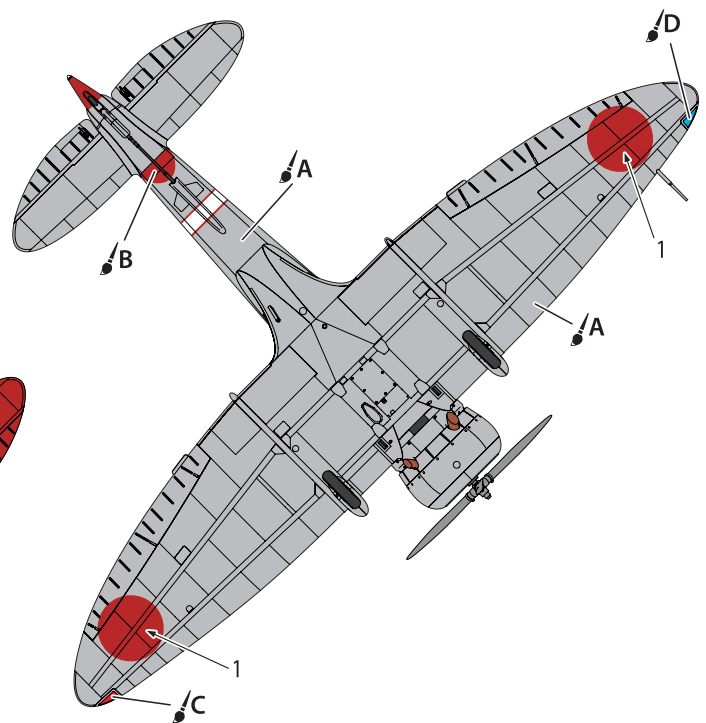
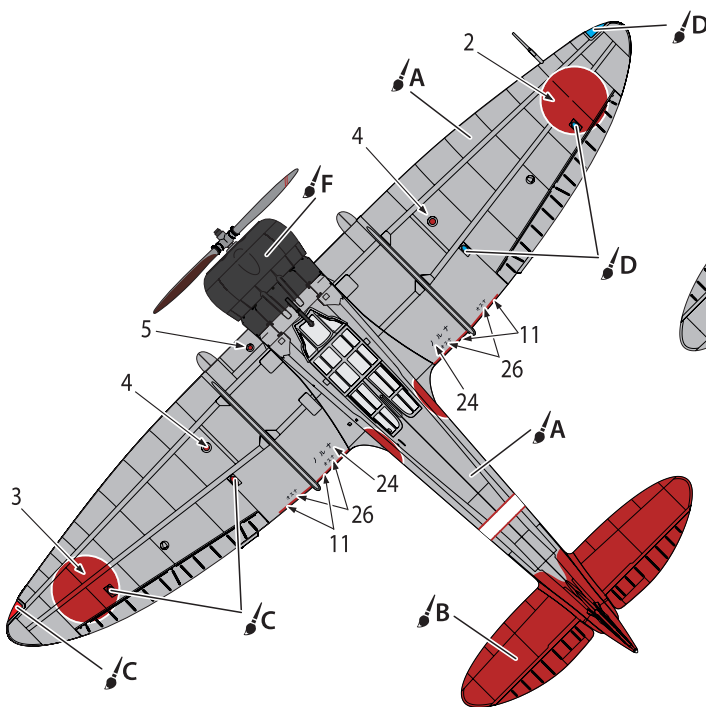
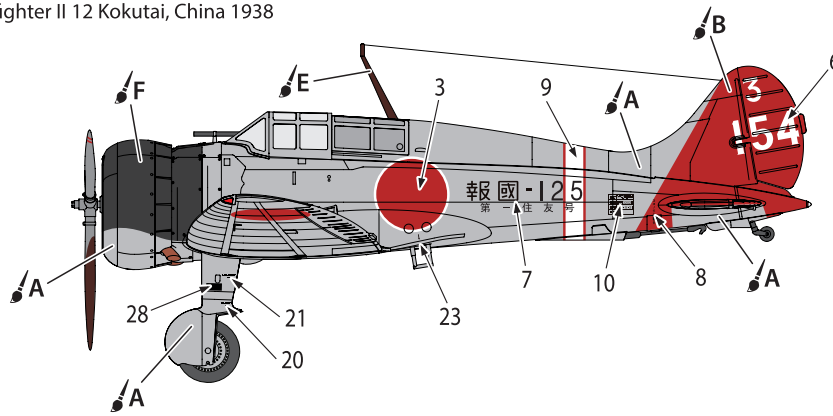


F
MR. COLOR 125
A.MIG-0907
COWLING COLOR

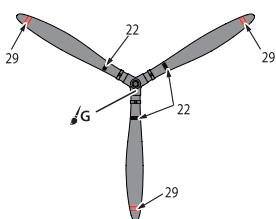


G
MR. COLOR 28
A.MIG-0191
STEEL

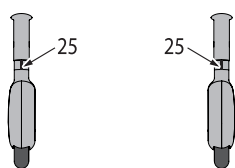
IJN Type 96 carrier-based fighter II 12 Kokutai, China 1938



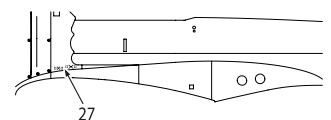
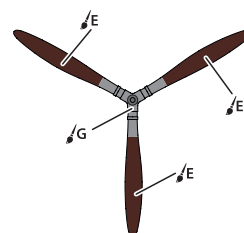
PROPELLER FRONT SIDE



LANDING GEAR FRONT



PROPELLER BACK SIDE





H-750 HAWK

1:48 **★** ADVANCED
CP4803

Made in Ukraine

H-75N HAWK

1:48 **★** ADVANCED
CP4804

Made in Ukraine

SKYSHARK

1:48 **★** ADVANCED
CP4802

EARLY VERSION

Made in Ukraine

A5M4 CLAUDE

1:72 **★** ADVANCED
CP72010

Made in Ukraine

KI-51 SONIA
in foreign service

1:72 **★** STARTER
CP72013

Made in Ukraine

KI-51 SONIA
in foreign service

1:144 **★** STARTER
CP144003

Made in Ukraine

✉ sales@clearpropmodels.com
 f www.fb.com/Clearpropmodels